

**IMPORTANT WARRANTY INFORMATION PLEASE READ  
FILL OUT AND RETURN ENCLOSED WARRANTY CARD**

THIS WARRANTY COVERS  
Roots & Harvest Cabbage Cutter #1347  
THE WARRANTY IS EXTENDED TO THE ORIGINAL PURCHASER ONLY

**WARRANTY DURATION:** This product is warranted to the original purchaser for a period of one (1) year from the original purchase date. **EACH UNIT COMES WITH A WARRANTY CARD, WHICH MUST BE FILLED OUT COMPLETELY AND RETURNED IMMEDIATELY, WITH A COPY OF THE PURCHASING RECEIPT. FAILURE TO RETURN YOUR WARRANTY CARD WILL LIMIT WARRANTY TO 90 DAYS WITH PROOF OF PURCHASE.**

**WARRANTY COVERAGE:** This product is warranted against defective materials or workmanship. The warranty is void if the product has been damaged by accident, misuse, neglect, modification or improper service or repairs by unauthorized personnel. It is also void if damaged in shipment or by other causes not arising out of defects in the materials or workmanship. This warranty does not extend to any units which have been in violation of written instructions furnished. This warranty covers only the product and its specific parts, not food or other products processed in it.

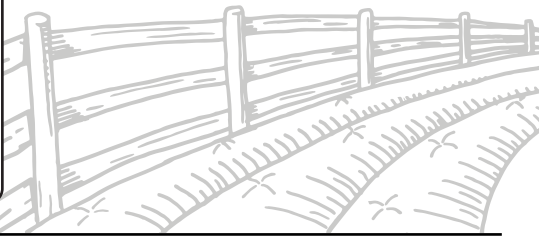
**WARRANTY DISCLAIMERS:** This warranty is in lieu of all warranties expressed or implied, and no representative or person is authorized to assume any other liability in connection with the sale of our products. There shall be no claims for defects or failure of performance under any theory of sort, contract or commercial law including, but not limited to negligence, gross negligence, strict liability or breach of contract. The manufacturer declines all responsibility for damage to persons, things or animals arising from the failure to comply with the norms contained in this manual. The manufacturer reserves the right to make modifications at anytime to the models while maintaining the main characteristics described herein. The manufacturer also declines all responsibility for any errors in compiling this manual.

**WARRANTY PERFORMANCE:** During the above warranty period, a product with a defect will either be repaired or replaced after the product has been inspected by a Roots & Harvest Service Technician. **ROOTS & HARVEST RESERVES THE RIGHT TO REFUSE WARRANTY PERFORMANCE OR PRODUCT EVALUATION UNLESS THE ORIGINAL SALES RECEIPT OR THE WARRANTY CARD IS ON FILE.** The repaired product will be in warranty for the balance of the one year warranty period. No charge will be made for such repair or replacement.

**IMPORTANT NOTICE:** If any parts are missing or defective, please contact our Roots & Harvest for assistance at 877-509-3457 (M-F 8:30am to 4:30pm EST). **DO NOT RETURN TO THE STORE WHERE THE PRODUCT WAS PURCHASED.**

**LEM PRODUCTS MERCHANDISE RETURN POLICY WARRANTY SERVICE:** To obtain service under terms of this warranty, please contact us at 877-509-3457 to obtain authorization prior to returning the merchandise. No merchandise will be accepted without prior authorization. Please return the product prepaid in the original packaging if possible, enclose a copy of your receipt, (keep a copy of your proof-of-purchase for your records) and include a written explanation of the issue. Ship to Roots & Harvest Products, 4440 Muhlhauer Road, Suite 300, West Chester, OH 45011. Roots & Harvest Products is not responsible for damage incurred in shipping, make certain to pack product properly. Return shipping charges are the responsibility of the purchaser. Packages returned to Roots & Harvest should be insured for the value of the product to cover any damages that may occur during shipping.

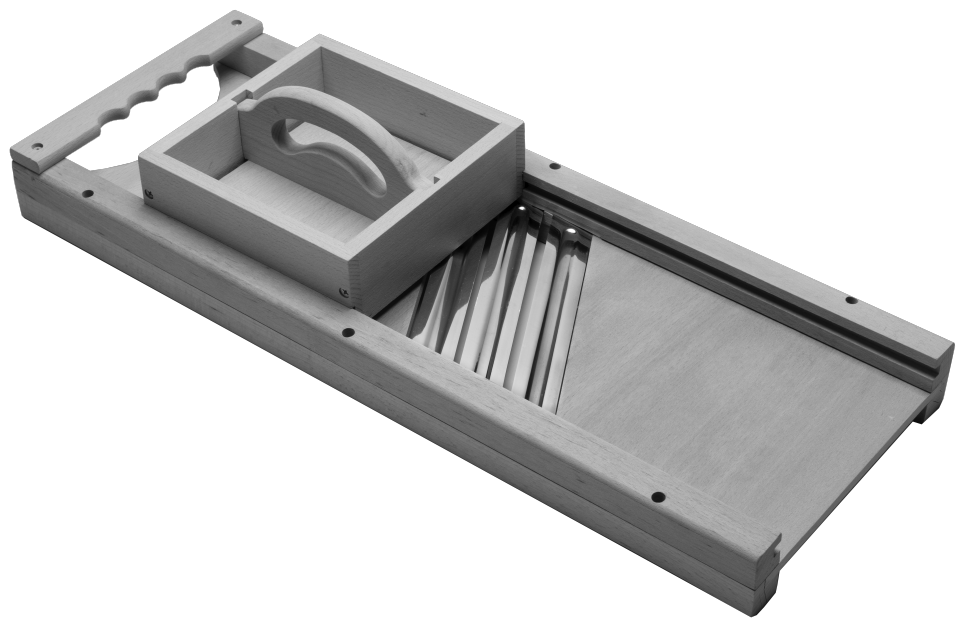
Revised September 12, 2017



# CABBAGE CUTTER

## USE & MAINTENANCE

#1347



**1 YEAR  
WARRANTY**

## ⚠ GENERAL WARNINGS AND SAFETY INFORMATION ⚠

### IT IS IMPORTANT TO READ AND UNDERSTAND ALL OF THE INSTRUCTIONS AND SAFEGUARDS PRIOR TO USE

1. Always ensure that the appliance is properly assembled and safely set up before use.
2. **CAUTION:** This appliance is not recommended for use near or by children or persons with certain disabilities. Set up and store the appliance out of reach of children. When not in use, store device in a secure and dry place out of reach of children.
3. The appliance is designed for domestic use and not for commercial purposes.
4. **DO NOT** use the appliance on bones, deep frozen food, hard items or non-food items.
5. Use the appliance with the supplied accessories only. **WARNING:** The use of attachments not recommended or sold by the manufacturer may cause injury, damage to personal property, and may void your warranty.
6. **WARNING:** Do not use while under the influence of alcohol or drugs (prescription or non-prescription) as these may impair user's ability to properly assemble or safely operate the appliance.
7. The manufacturer declines any responsibility in the case of improper use of this product. Improper use of this product voids the warranty.
8. Tie back loose hair and clothing. Remove neckties, rings, watches, bracelets or other jewelry before operating the appliance.
9. Use on a level, stable surface to prevent tipping. Never move the appliance while in use.
10. **WARNING:** Blades are **SHARP!** To avoid injury, use extreme caution when handling.
11. **DO NOT** use fingers to push product across the blade. Use the supplied food guide and pressing plate.

## 12. SAVE THESE INSTRUCTIONS

### BEFORE USE

1. Hand wash in hot soapy water, rinse and allow unit to dry completely.
2. Brush or rub all wooden parts with a food grade oil such as coconut, mineral, vegetable or salad oil.
3. Repeat when you notice the wood looks to be drying out.
4. Do not put any part in dishwasher!
5. Do not soak!

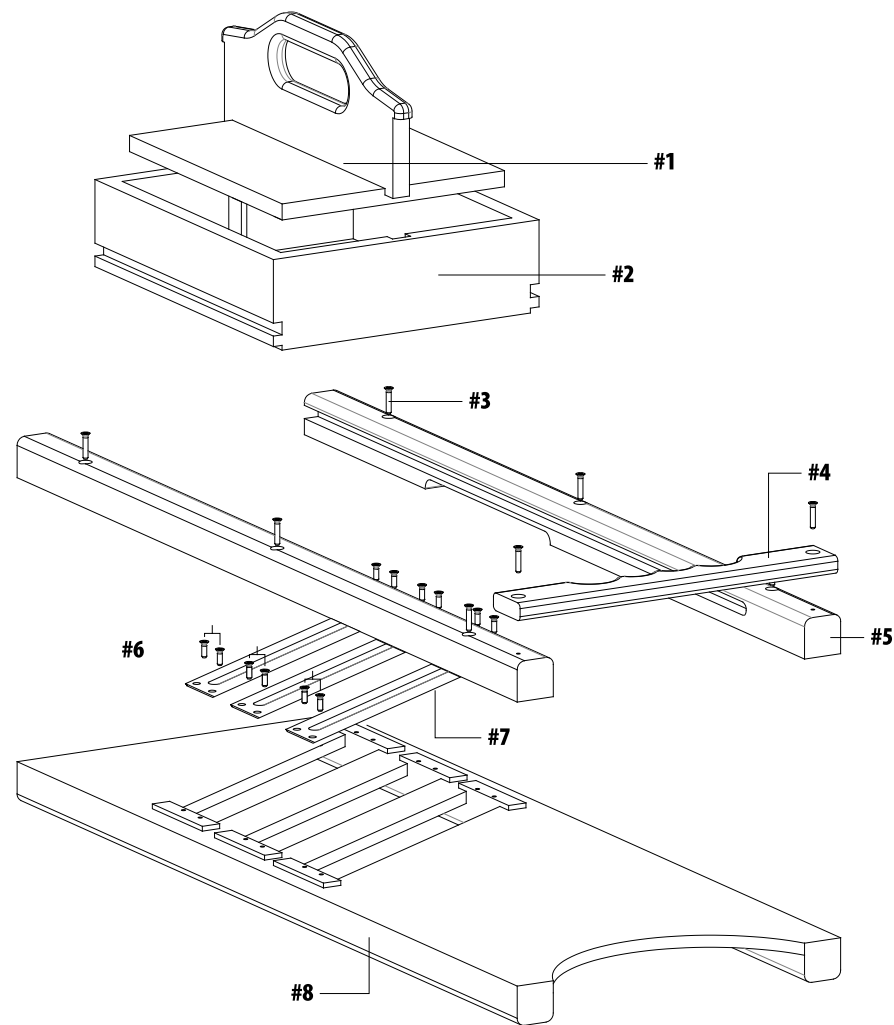
### OPERATING INSTRUCTIONS

1. Slide the cabbage box onto the base using the base grooves as a guide.
2. Cut the cabbage in half or quarters to fit into the cabbage box.
3. Place the cabbage into the cabbage box.
4. Hold the cabbage cutter at a 45 degree angle over a cutting board or lay flat across a large bowl.  
It may be helpful to press back edge against the wall.
5. Use the pressing plate to hold the cabbage in place and protect fingers from blades.
6. With a back and forth motion, slide the cabbage box while holding onto the pressing plate.
7. The sliced cabbage will fall through the bottom of the cabbage cutter onto the board/bowl.

### PRIOR TO STORAGE

It is recommended to coat the blade with a food-grade silicone spray to prevent corrosion.

## PARTS



CABBAGE CUTTER  
MODEL #1347

| # | DESCRIPTION      | QTY | # | DESCRIPTION      | QTY |
|---|------------------|-----|---|------------------|-----|
| 1 | Pressing Plate   | 1   | 5 | Sides            | 2   |
| 2 | Cabbage Box      | 1   | 6 | Screw – 3.5 x 10 | 4   |
| 3 | Screw – 3.5 x 25 | 8   | 7 | Blade            | 3   |
| 4 | Handle           | 1   | 8 | Base Board       | 1   |